



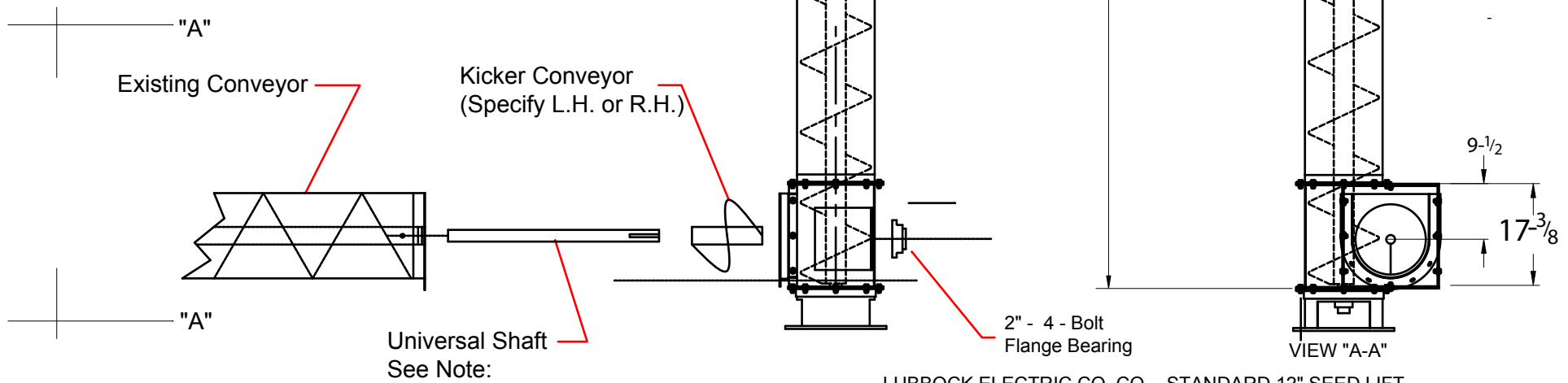
Lubbock Electric Co

800-692-4474
www.lubbockelectric.com

"The Lubbock Electric seed lift is a universal design in that both the discharge and inlet transitions can be rotated in any direction and the inlet can be field-changed to either side."

NOTE:

"Insert non-keyed end of shaft through kicker conveyor and into existing conveyor. Mark and drill gudgeon holes where needed in shaft. Mount four-bolt flange bearing over shaft and bolt to flange on seed lift. (If shaft is to be used as tail shaft, customer may elect to saw off shaft just past the bearing.)"



LUBBOCK ELECTRIC CO. CO. - STANDARD 12" SEED LIFT
NON-STANDARD SIZES BUILT TO ORDER